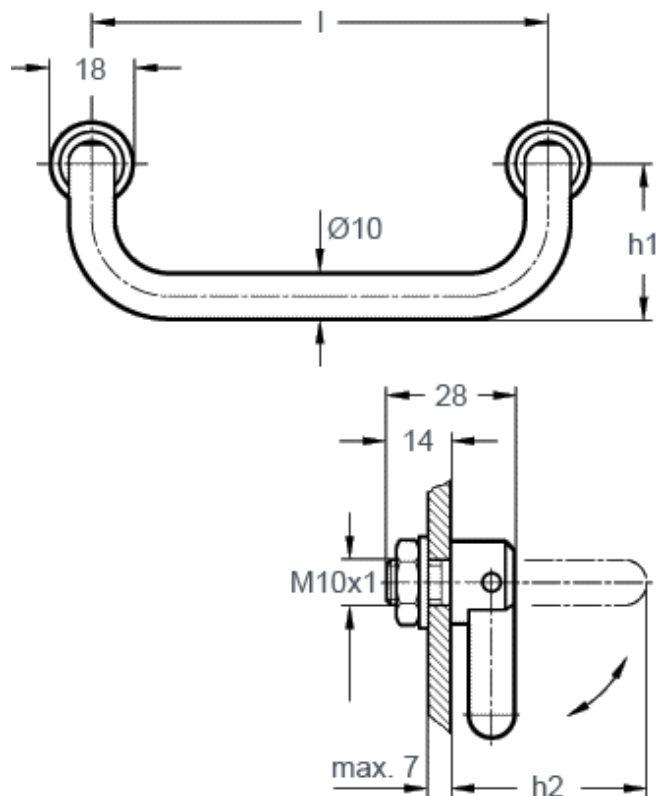


Article number: 20169055

Description: E+G Folding handle GN 425.2-180-CR

Measures



$h_1 = 34$

$h_2 = 44$

$l = 180$